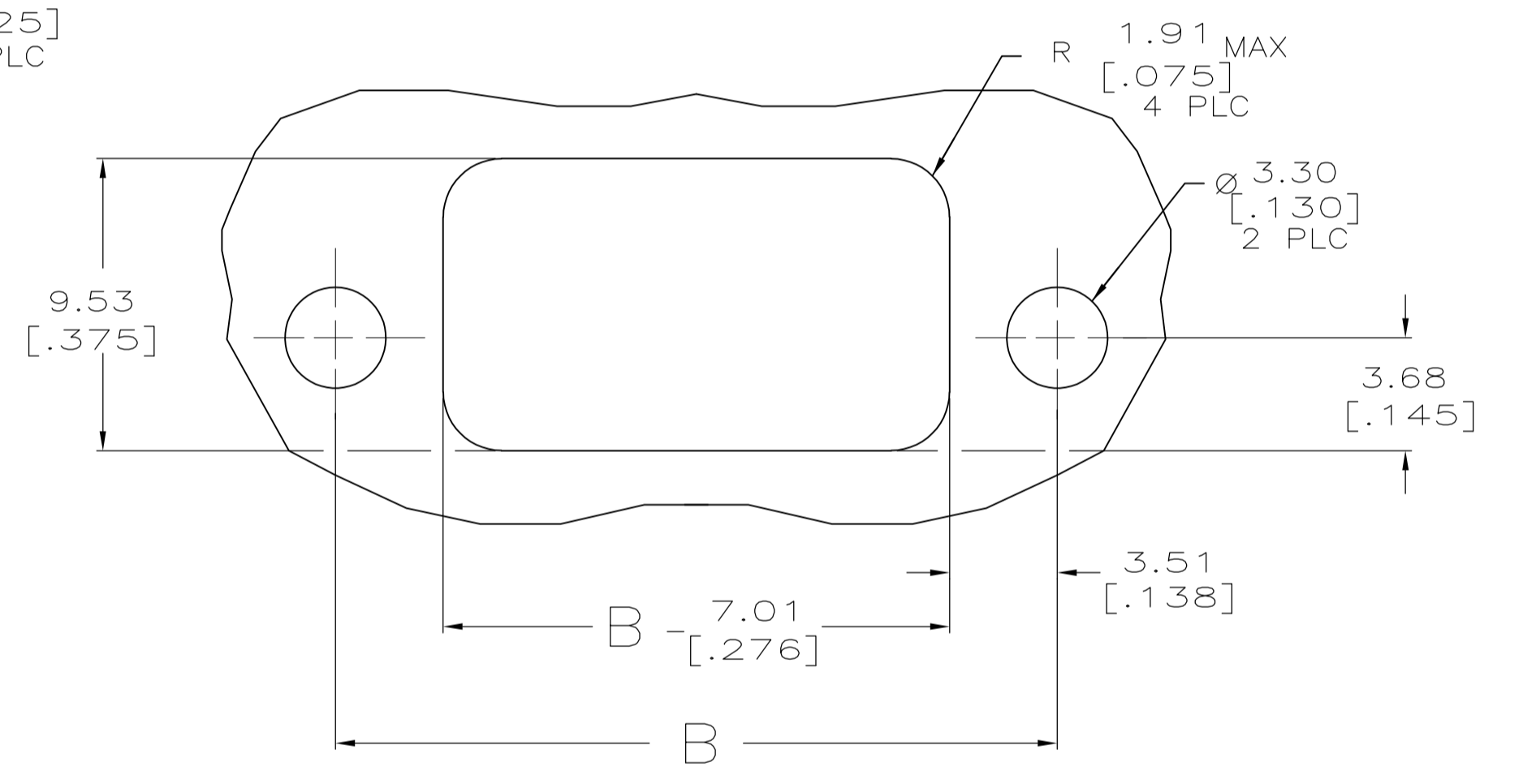
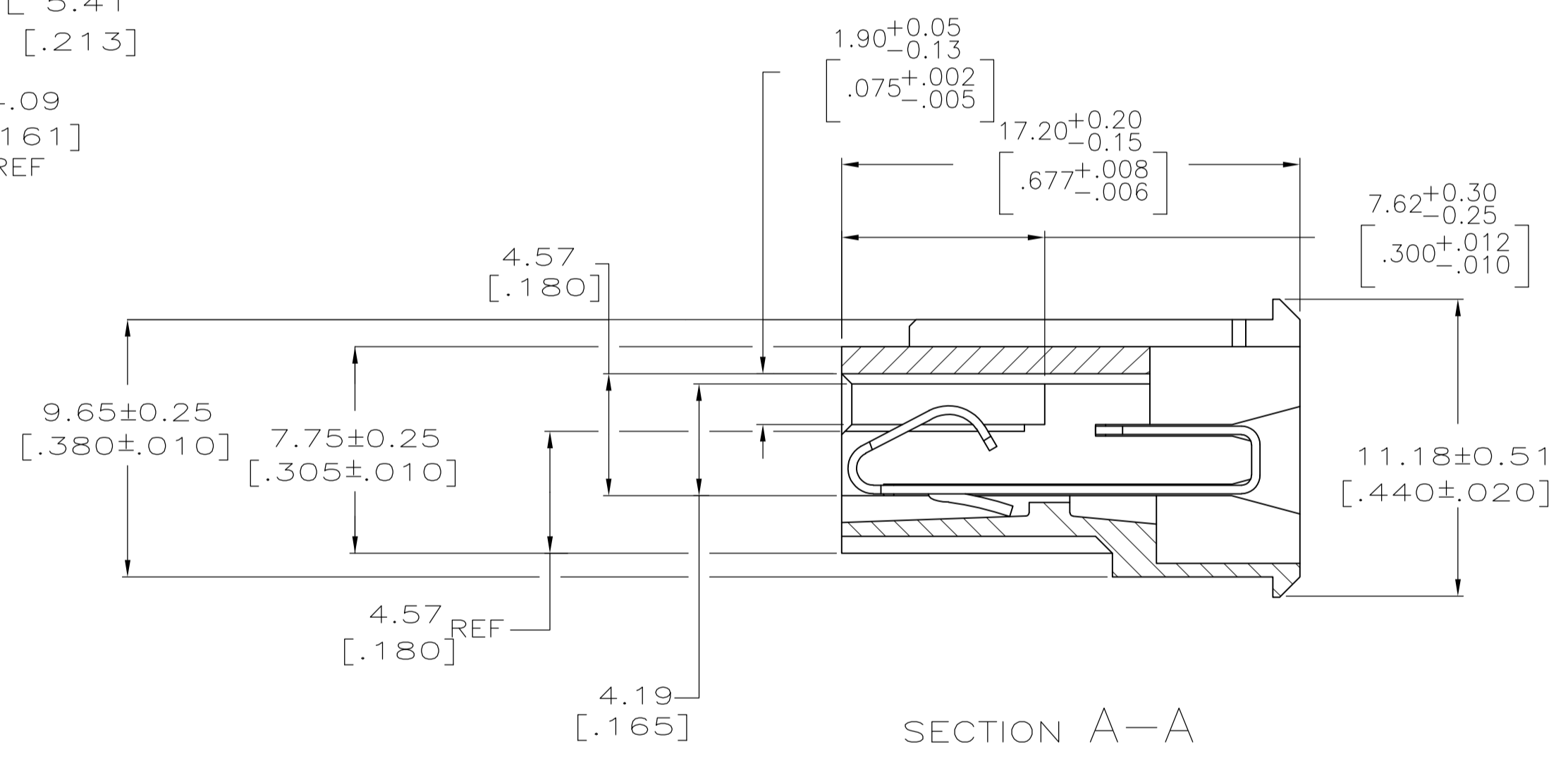
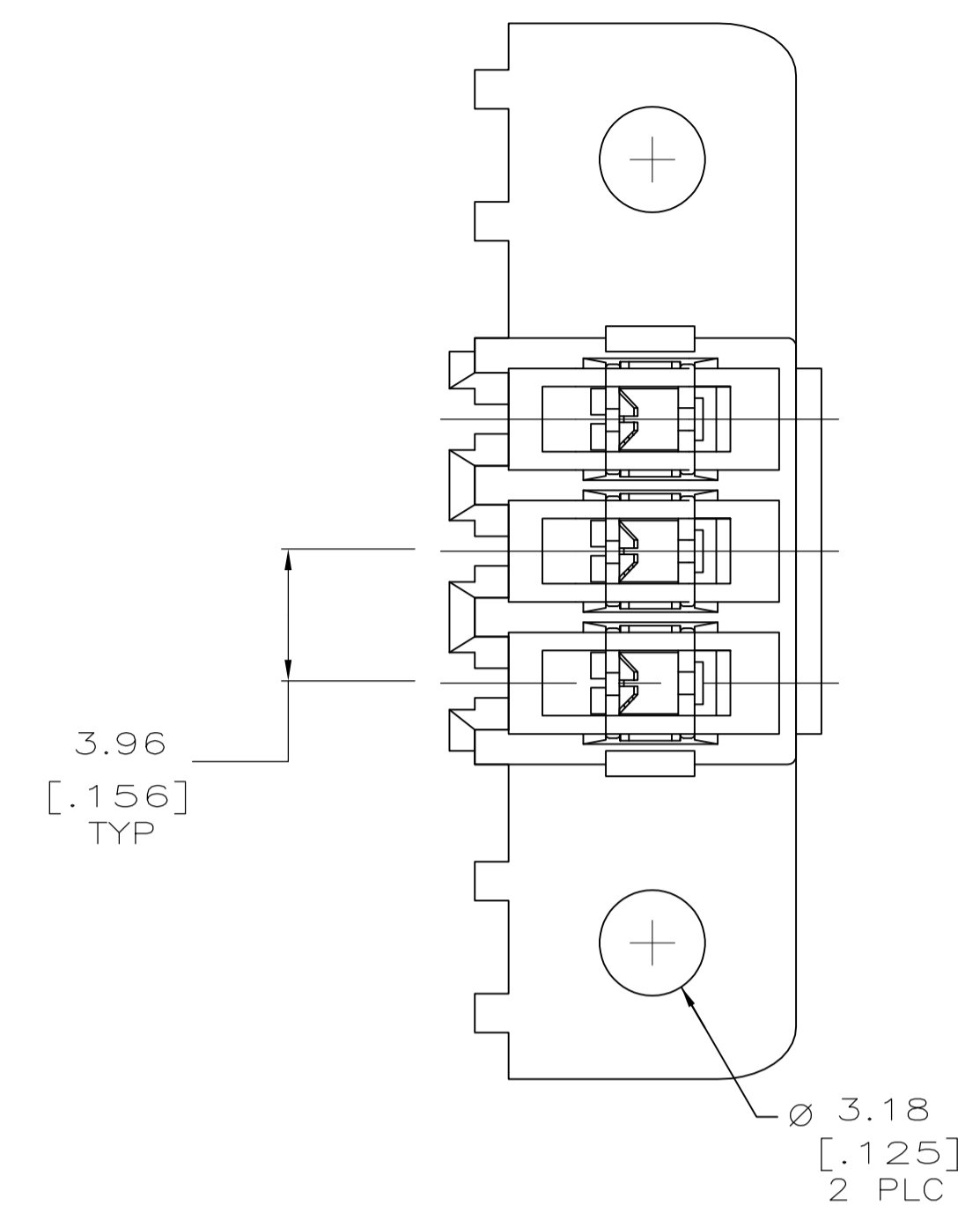
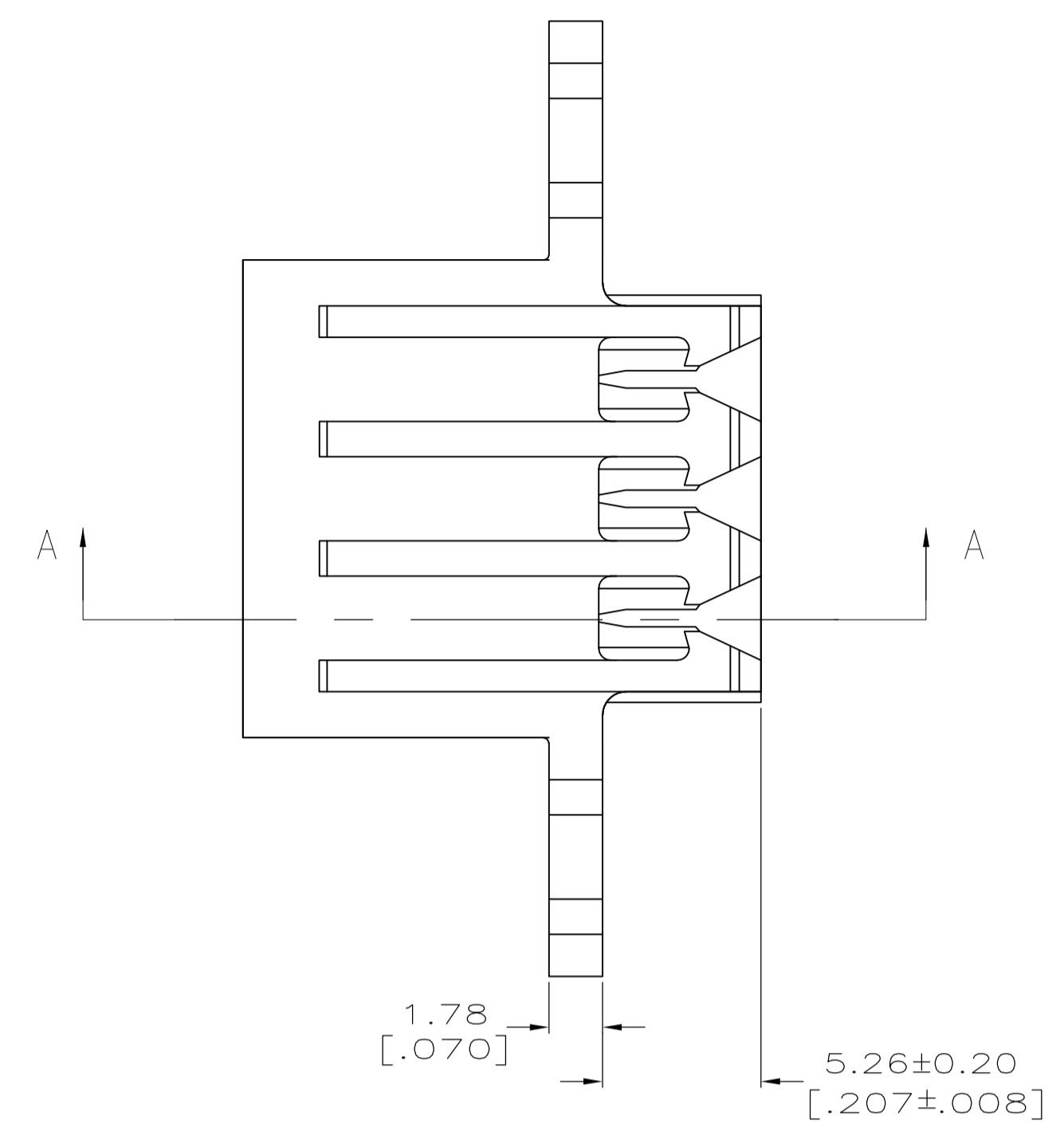
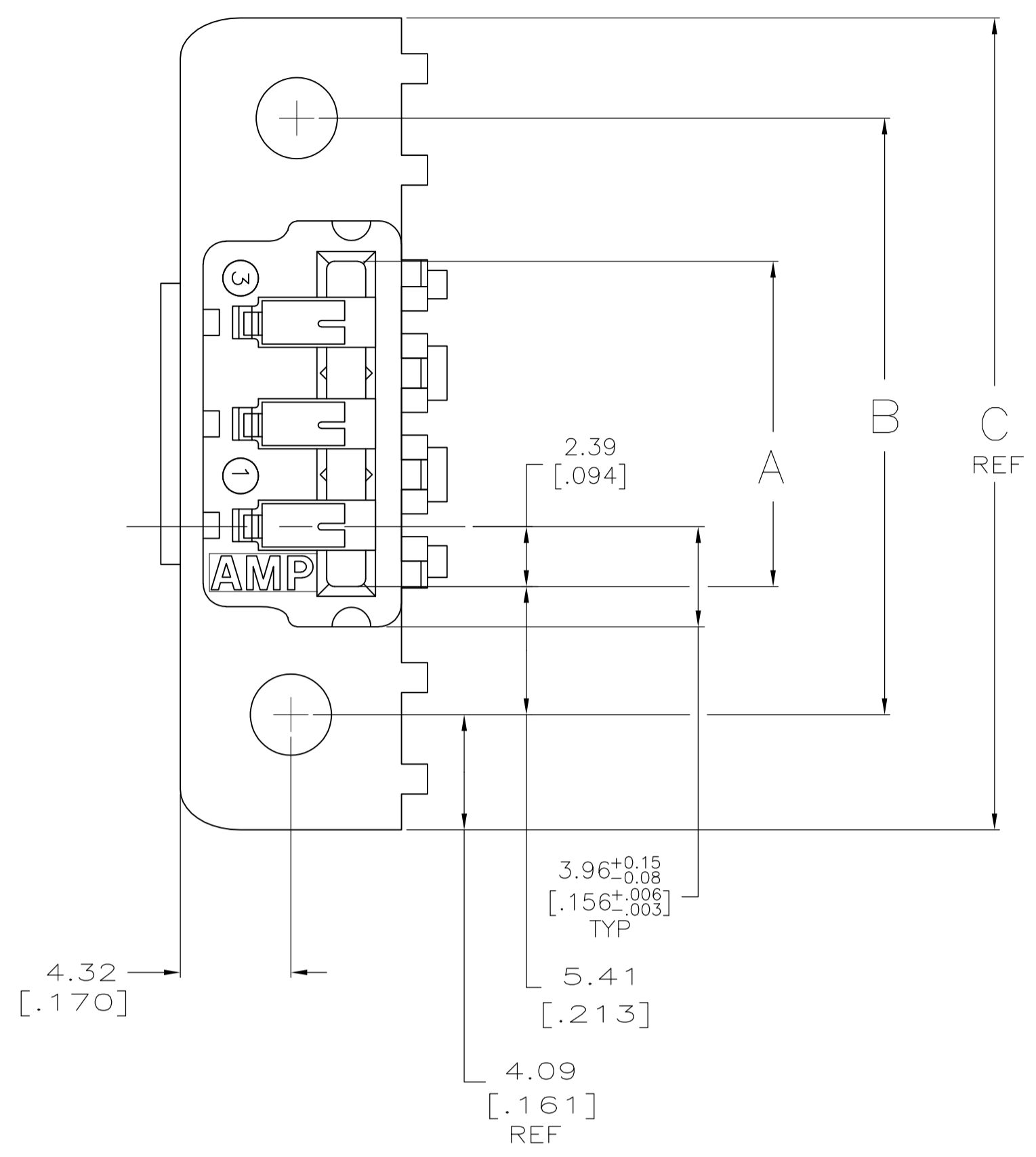
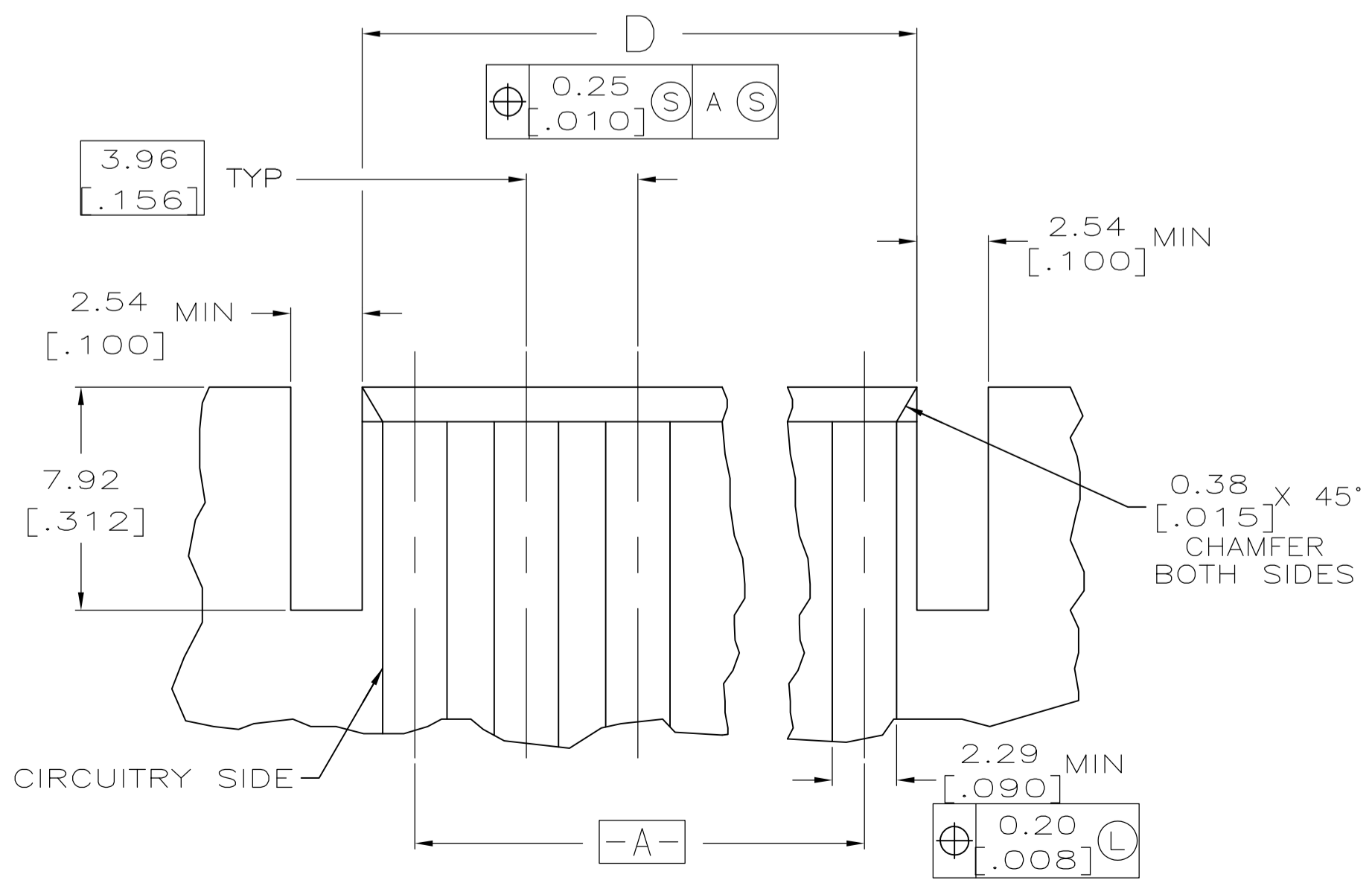


- MATERIAL:
CONNECTOR: POLYESTER UL94V-0 (YELLOW).
CONTACTS- 0.30 [.012] THK COPPER ALLOY.
 - CONTACT ACCEPT #20 AWG WIRE WITH 2.41 [.095] MAXIMUM INSULATION DIAMETER.
 - CONNECTOR MATES WITH 1.57±0.20[.062±.008] THICK PC BOARD.
 - HOUSING FEATURES: CLOSED END, STANDARD MOUTH WITH MOUNTING EARS.
- △ CONTACT FINISH: BRIGHT TIN-LEAD 0.00203[.000080] MIN THK.
- △ CONTACT FINISH: MATTE WHISKER MITIGATED TIN 0.00203[.000080] MIN THICKNESS OVER NICKEL UNDERPLATE.



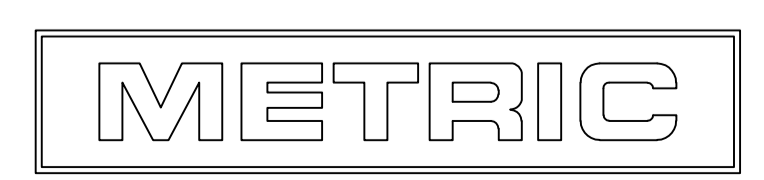
RECOMMENDED PANEL CUTOUT



RECOMMENDED P.C. BOARD LAYOUT

SECTION A-A

△	95.50 [3.760]	114.91 [4.524]	106.73 [4.202]	95.91 [3.776]	24	5-640865-4	
	91.54 [3.604]	110.95 [4.368]	102.77 [4.046]	91.95 [3.620]	23	5-640865-3	
△	87.58 [3.448]	106.98 [4.212]	98.81 [3.890]	87.99 [3.464]	22	5-640865-2	
	83.62 [3.292]	103.02 [4.056]	94.84 [3.734]	84.02 [3.308]	21	5-640865-1	
	79.65 [3.136]	99.06 [3.900]	90.88 [3.578]	80.06 [3.152]	20	5-640865-0	
	71.73 [2.824]	91.14 [3.588]	82.96 [3.266]	72.14 [2.840]	18	4-640865-8	
	59.84 [2.356]	79.25 [3.120]	71.07 [2.798]	60.25 [2.372]	15	4-640865-5	
	47.96 [1.888]	67.36 [2.652]	59.18 [2.330]	48.36 [1.904]	12	4-640865-2	
	36.07 [1.420]	55.47 [2.184]	47.29 [1.862]	36.47 [1.436]	9	3-640865-9	
	24.18 [.952]	43.59 [1.716]	35.41 [1.394]	24.59 [.968]	6	3-640865-6	
	12.29 [.484]	31.70 [1.248]	23.52 [.926]	12.70 [.500]	3	3-640865-3	
	△	95.50 [3.760]	114.91 [4.524]	106.73 [4.202]	95.91 [3.776]	24	2-640865-4
		91.54 [3.604]	110.95 [4.368]	102.77 [4.046]	91.95 [3.620]	23	2-640865-3
		87.58 [3.448]	106.98 [4.212]	98.81 [3.890]	87.99 [3.464]	22	2-640865-2
		83.62 [3.292]	103.02 [4.056]	94.84 [3.734]	84.02 [3.308]	21	2-640865-1
		79.65 [3.136]	99.06 [3.900]	90.88 [3.578]	80.06 [3.152]	20	2-640865-0
71.73 [2.824]		91.14 [3.588]	82.96 [3.266]	72.14 [2.840]	18	1-640865-8	
59.84 [2.356]		79.25 [3.120]	71.07 [2.798]	60.25 [2.372]	15	1-640865-5	
47.96 [1.888]		67.36 [2.652]	59.18 [2.330]	48.36 [1.904]	12	1-640865-2	
36.07 [1.420]		55.47 [2.184]	47.29 [1.862]	36.47 [1.436]	9	640865-9	
24.18 [.952]		43.59 [1.716]	35.41 [1.394]	24.59 [.968]	6	640865-6	
12.29 [.484]		31.70 [1.248]	23.52 [.926]	12.70 [.500]	3	640865-3	
CONTACT FINISH		D	C	B	A	NO. OF CIRCUITS	PART NUMBER



THIS DRAWING IS A CONTROLLED DOCUMENT. DIN B LEWIS 2-20-96
 CJK R SWING 2-20-96
 APVD

TOLERANCES UNLESS OTHERWISE SPECIFIED:
 0 PLC ± -
 1 PLC ± -
 2 PLC ± 0.13 [.005]
 3 PLC ± -
 4 PLC ± -
 ANGLES ± -

MATERIAL SEE NOTE 1 FINISH SEE NOTE 1

THIS DRAWING IS A CONTROLLED DOCUMENT. Tyco Electronics Corporation Harrisburg, Pa 17105-3608
 Tyco Electronics
 NAME MTA-156
 PRODUCT SPEC CARD EDGE CONNECTOR ASSEMBLY, 20 AWG, PANEL MOUNT
 APPLICATION SPEC
 SIZE A1 CASE CODE DRAWING NO 00779 ©=640865
 WEIGHT CUSTOMER DRAWING SCALE 5:1 SHEET 1 of 1 REV L